

Technical Meeting 2010

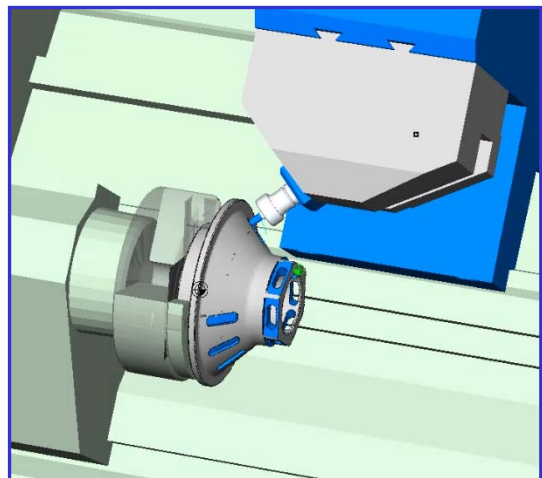
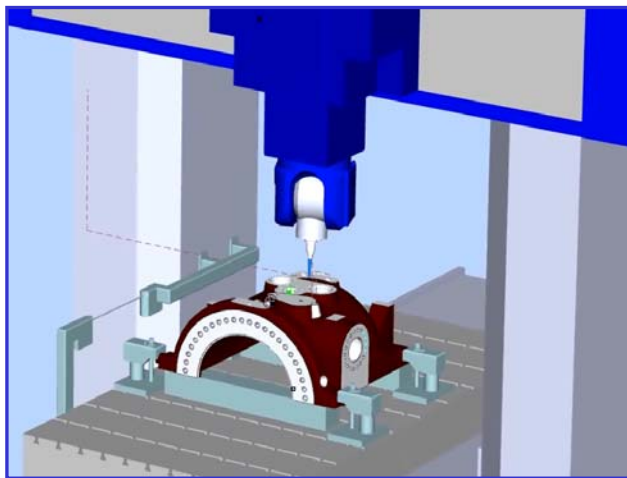
EXAPT – New strategies and partnerships ensure your success

The Technical Meeting 2010 started at the previous day with an In-House Exhibition:

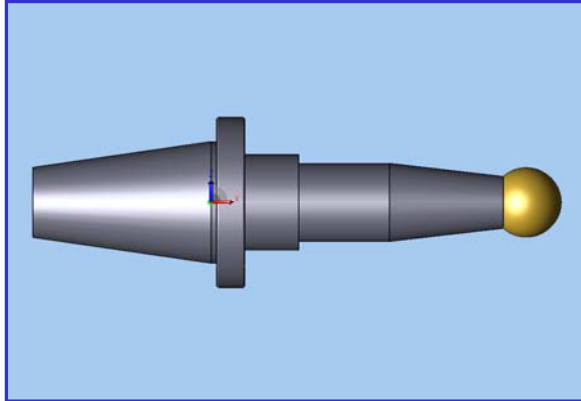


The users had the opportunity to get to know and to discuss the new possibilities of the EXAPT version 5.03.

Highlights in EXAPTsolid / EXAPTplus were: 3/5 axes machining on a large-sized machining center with aggregate selection, positioning and removal simulation, modification programming with EXAPTsolid, EXAPT simulation viewer (with touch screen)



The following themes were presented in EXAPTpdo: 3D-Solid tool generation, data entry masks for drilling and milling tools, TLM application with gross/net tool requirements, integration of the tool presetting with ZOLLER and automatic restoring into the data base



Kopfdaten		Firmen-Sachnr.		Erstellt :	
VZ.-Sachnumr	KOV001			25.02.2010 13:31	
Ersteller :	BESDOK	Änderer :	BESDOK	Geändert :	
				25.02.2010 13:37	
VZ.-Bezeich. : KUGELFRAESER					
XS :	200,00				
Dornabstand (d) :	65,00				
Hülzyl-Drn.1 (dh1) :	55,00				
Hülzyl-Drn.2 (dh2) :	97,50				
Hülzyl-Länge1 (lh1) :	50				
Hülzyl-Lng.2 (lh2) :	15,20				
Kegelschaftstartd. (dk) :	45,00				
Kegelschaftendd. (dku) :	30,00				

The Technical Meeting the next day presented interesting reports around the EXAPT CAD/CAM solutions, given by the companies SMS Siemag AG, Hilchenbach, manroland AG, Augsburg, CIM Aachen GmbH, Aachen and EXAPT Systemtechnik GmbH, Aachen:

- EXAPT - Strategic advancement to the advantage of the users
- EXAPT use for the complete machining of large components
- Progress report EXAPT-working group
- Standardized provision of tool data for the NC programming
- EXAPTpdo - Increased benefit to the user by partner solutions
- EXAPT NC - All in One - New technologies improve the economy



Exchange of information during the breaks