

Simulation for the shopfloor

Specification: Simulation/view

Description:

System for the EXAPTplus simulation (NC planning) for the use in the shopfloor

- Simulation for shopfloor terminals on the basis of the EXAPT data model
- Display of workpiece and tool, upgradable with machine aggregates additional option (EXAPTplus machine simulation)
- Selection of the simulation programs via EXAPTpdo data base or from the data system
- Tool list as table for the use of the EXAPTpdo tool plan

Benefit:

- Reduction of the positioning time and increase of the safety at program entering
- Support of the user in the production by visual collision control
- Shopfloor-oriented operating via touch screen and keyboard/mouse
- Simple use without EXAPT programming knowledge

Requirements:

- EXAPTplus as of version 5.03
- EXAPTpdo when using the data base archive (DB licensing necessary)

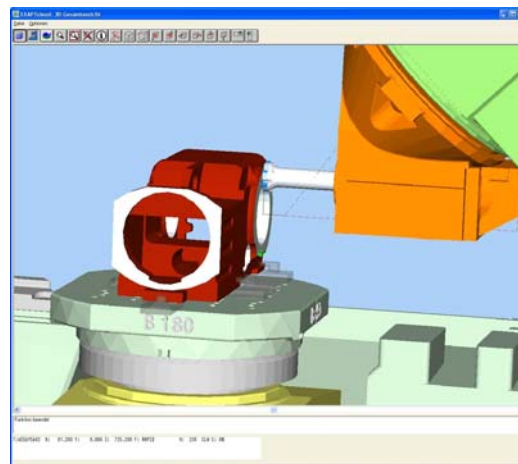
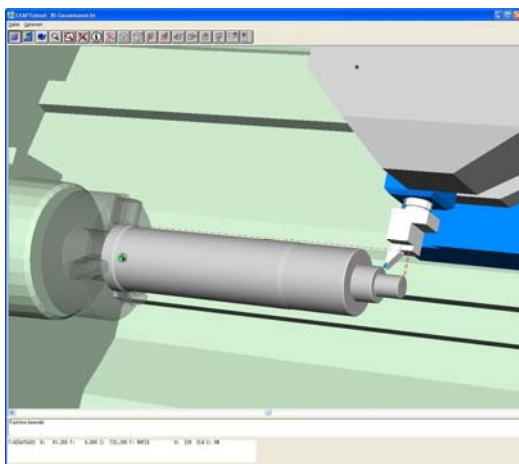


Fig. EXAPTplus Simulation viewer